



سوق السيارات العربي

International Car Bridge FZE

RAK Free Trade Zone, Island Street, P.O. Box 40503, Ras Al Khaimah RAK,
 United Arab Emirates (UAE), Tel: +971/50/7 13 13 07, Fax: (0)7/204 10 10
 Contact in Germany: Volker Risse, Im Herrental 56, 53489 Sinzig/Bonn
 Tel:+49/2642/4020060, Fax:4035292, Mobil:0172/6539555, Email: info@icbdubai.com
 Webpages: www.icbdubai.com & www.cartrader24.com

Hino Model Year 2017

XZU 710L 6.5 T GVW 4x2 Truck Chassis

Description	XZU 6.5 CHASSIS / CARGO **
Model Code	XZU710L
GVW (Kg)	6500
Chassis Carrying Capacity (Kg)	4200
Pay Load (Kg) *	3600
Engine Type	4.0L, Common Rail Direct Injection with Turbocharged intercooler(Euro-3)
Max Power	140 PS @ 2500 RPM
Max Torque	392 Nm @ 1600 RPM
Clutch Type / Dia	Dry single plate, Diaphragm Type / 300 mm
Gear Box	5F + 1R Speeds, Manual Transmission, Overdrive, Synchronesh
Brake - Front/Rear	Front – Drum Type / Rear – Drum Type, Vacuum assist
Parking Brake	Mechanical
Exhaust Brake	Electric-vacuum actuator with valve in exhaust pipe
Suspension - Front/Rear	Semi-elliptic leaf springs with double acting shock absorbers
Steering	Power, Telescopic & Tilttable
Wheel Type	6 Stud, Disc Wheels
Tyre	7.50R16-10PR
Battery / Alternator	Battery: 12V x 2; 60 A.h / Alternator: 24 V-60 A
Seating Capacity	3 Persons
Wheelbase (mm)	3430
Turning Circle Radius (mm)	5800
Overall Dimensions LxWxH (mm)	6120 x 1995 x 2210
Deck Dimensions** LxWxH (mm)	4355 X 2085 X 380
Rear Overhang (mm)	1580
Fuel Tank Capacity (L)	100
Max Speed (kmph)	112
Gradeability (%)	41.2
Tilttable Cabin	ü
Headrests & Seatbelts	ü
Clock	ü
Power Window	-
Factory Fitted A/C	ü
Cargo Body from Japan	-
Radio AM/FM + CD Player	ü
Ashtray + Cigarette Lighter	ü
Intermittent Wiper	ü
Fuel Tank Cap with Key	ü
Spare Wheel Carrier	ü
Load Sensing Valve	ü
Towing Hooks – Front / Rear	ü
* Depends on the final body / superstructure weight	
** Weight & Dimensions given are approximate and subject to change due to continuous product improvements.	

US\$ 25.555,- // Euro 21.296,-

Nettopreise FOB free Dubai (Kurs: 1Euro=1,20US\$).

Der Hino aus Dubai ist in Europa nicht zulassungsfähig, weil er nicht die Schadstoffklasse EURO6 erfüllt. Es handelt sich um eine Heißländerspezifikation ideal für z.B. Afrika.

SPECIFICATIONS

Spec. No. SS-XZ433A
Drawing No. CDRXZ571A/530A



HINO 300 Series

4x2, Truck Chassis

- LHD
- 136 PS (Euro-3)
- 6.5 ton GVMR
- Wide Cab

■ **RATINGS & AXLE LOAD LIMIT (kg)**

	GVW	Front Axle	Rear Axle	Front Axle	Rear Axle
Ratings	6,500	□STD		□OPT	
		2,600	4,400	3,100	5,100
Axle Load Limit	(STD) 7.00R16-10	2,260	4,300		
	(OPT) 195/85R16-114/112	2,360	4,400		
	(OPT) 7.00R16-12	2,460			
	(OPT) 7.50R16-10			2,660	5,060
	(OPT) 215/75R17.5-126/124			3,100	5,100
	(OPT) 7.50R16-12			2,880	

■ **CHASSIS DIMENSIONS (mm) : All dimensions are to standard specifications and unladen chassis**

Model	HINO 3714	
Production Code	XZU700L-HKMQKV3	XZU710L-HKMQKV3
Application	General use	
Wheelbase	2,810	3,430
Overall Length	5,200	6,120
Overall Width	1,995	
Overall Height	2,225	2,210
Cab to Axle Center	2,250	2,870
Rear Overhang (at frame end)	1,280	1,580
Front Chassis Height	715	695
Rear Chassis Height	790	
Road Clearance (at front axle)	185	
Front Tread	1,660	
Rear Tread	1,480	
Turning Radius on Tire	4,800	5,800
Turning Radius Wall to Wall	5,500	6,500

■ **CHASSIS MASS (kg) : Chassis mass quoted is to standard specifications with spare tire, without std. tool set**

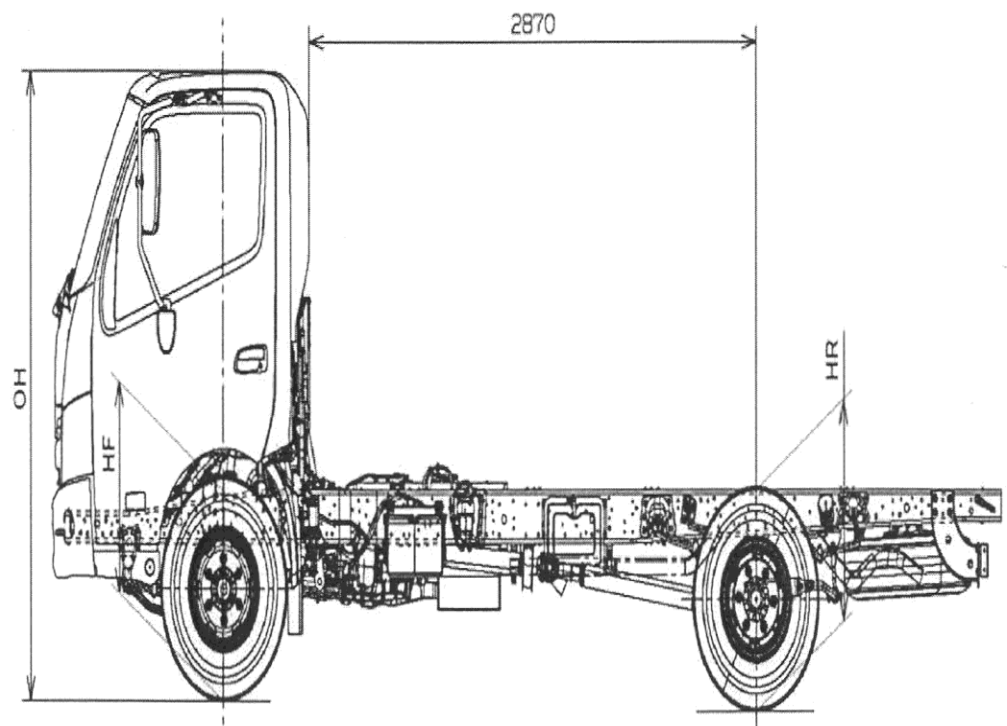
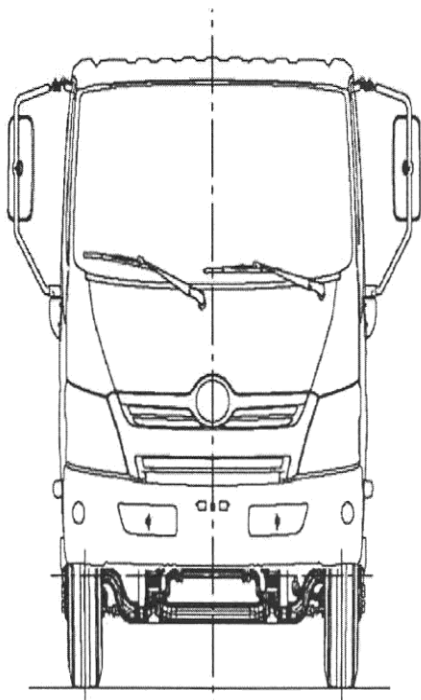
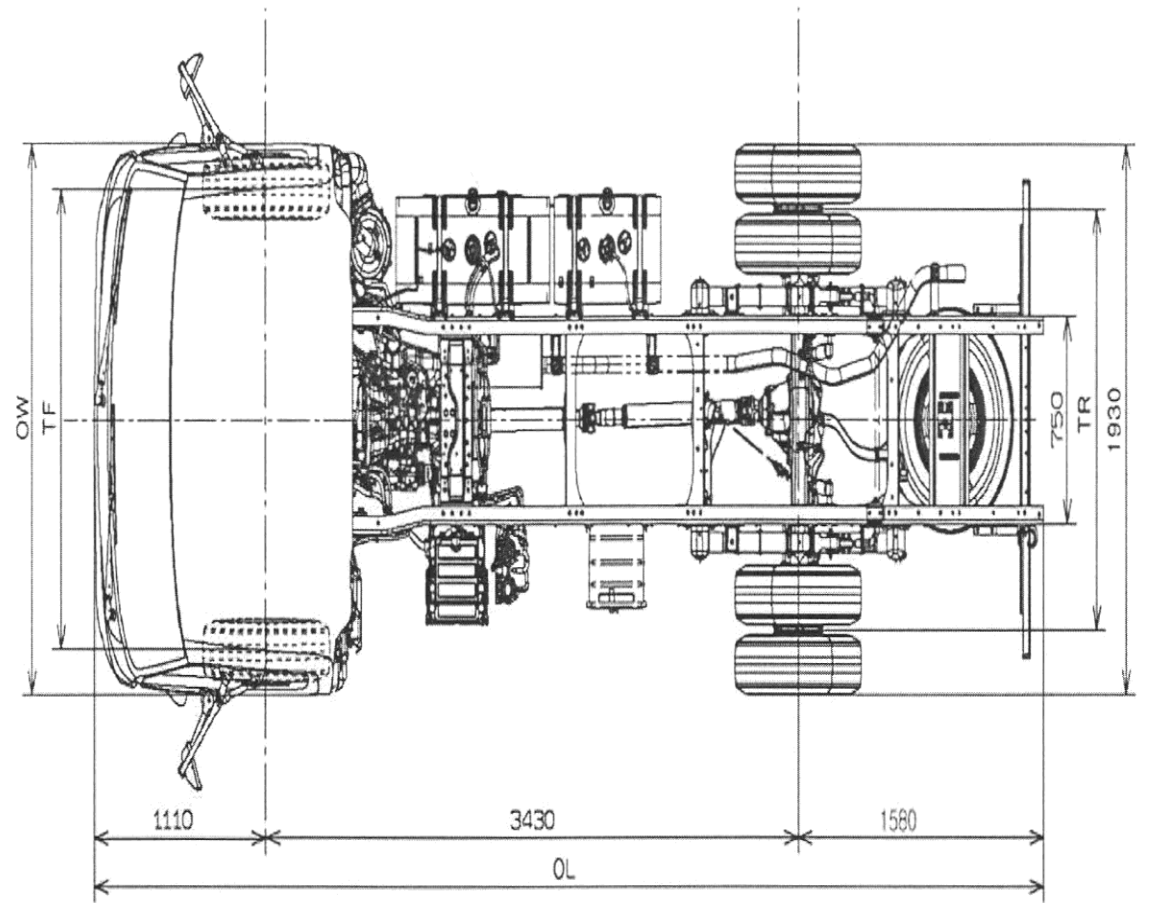
(Total)	2,250	2,320
(Front)	1,510	1,525
(Rear)	740	795

■ **PERFORMANCE & GEAR RATIOS : Calculations based on 6.5 ton GVM**

	□STD	□OPT	□OPT	□OPT
Max. Speed (km/h)	112	117	106	106
Gradeability tanθ (%)	41.2	38.9	43.7	43.6
Transmission Gear Ratio	Model	M550		
	1st	4.981		
	2nd	2.911		
	3rd	1.556		
	4th	1.000		
	5th	0.738		
Rev.	4.625			
Rear Axle Gear Ratio	5.125	4.875	5.375	5.571
Tire size	7.00R16		7.50R16	

TIRE SIZE		OL	OW	OH	FT	RT	HF	HR
FR	RR	(*)						
7.00R16-10	7.00R16-10	6120	1995	2210	1660	1480	695	790
195/85R16	195/85R16	6120	1995	2190	1665	1480	680	770
7.00R16-12	7.00R16-12	6120	1995	2210	1660	1480	700	790

(*) NOTE : 1. Figures marked "*" dimensions are measured in parallel with the surface of the ground.
2. All dimensions are to standard specifications.



MODEL: XZU710L-HKMQKV3

DRAWING No.: CDRXZ571A