



سوق السيارات العربي

## International Car Bridge FZE

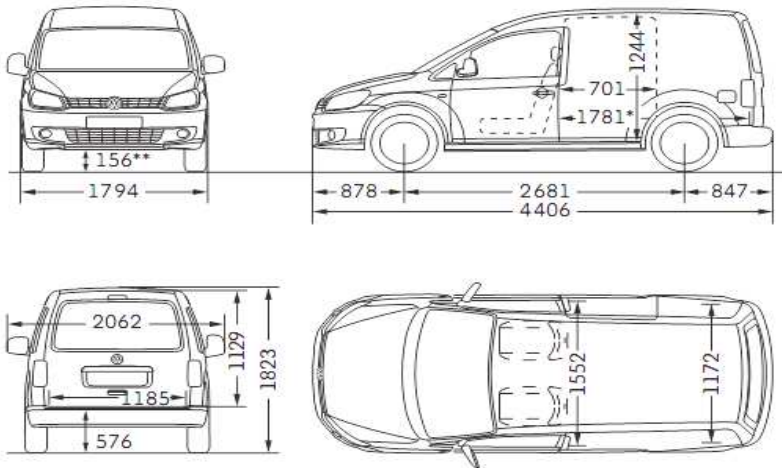
RAK Free Trade Zone, Island Street, P.O. Box 16111, Ras Al Khaimah RAK  
United Arab Emirates (UAE), Tel: 00971/(0)50/7 13 13 07, Fax: (0)7/204 10 10

Contact in Germany: Volker Risse, Alfred-Ott-Str. 7, 53489 Sinzig/Bonn  
Tel:+49/(0)2642/994999, Fax:994997, Mobil:(0)172/6539555

Email: [info@icbdubai.com](mailto:info@icbdubai.com), Webpage: [www.icbdubai.com](http://www.icbdubai.com) & [www.cartrader24.com](http://www.cartrader24.com)

## VW Caddy - Modelle 2014 / 2015

### Caddy Delivery Van.



### Weight & Dimension (mm):

Length	: 4406	Internal Length	: 1781
Width	: 1794	Internal Width	: 1552
Height	: 1823	Internal Height	: 1129

Side sliding door (width/height)	: 701/1100 mm
Tail gate doors (width/height)	: 1185 /1129 mm
Wheel base	: 2681 mm
Gross Vehicle Weight	: 2090 kg
Payload	: 741-574 kg
Volume	: <b>3.2 m3</b>

\* Weight range 1 installation control only, no requirement indicator

\* Emission standard EURO2

### VEHICLE SPECIFICATION

Model Year: 2015

Seats : 2 seats (in cab)

Engine : 1.6L TFSI 75kw (102HP)

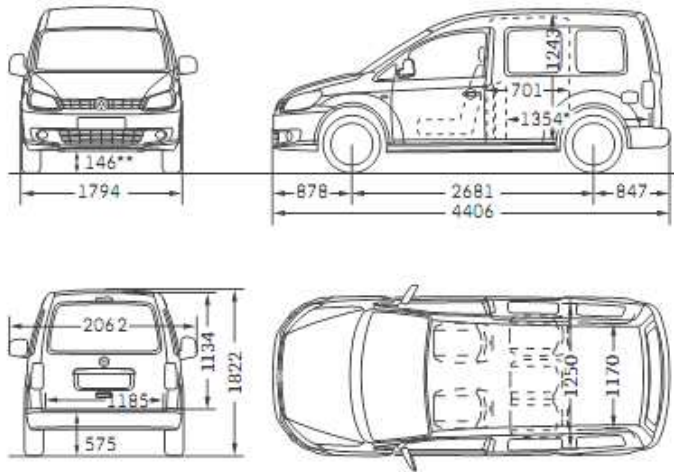
Trans. : 5 speed manual gearbox (4 cylinders)

- ⚡ Fuel tank (volume 60 L.),
- ⚡ Exhaust emission standard Euro 2
- ⚡ Alternator 140 A
- ⚡ Halogen headlight
- ⚡ Vehicle immobilization device ( electronic)
- ⚡ Warning buzzer and light for driver seat belt not fastened
- ⚡ Anti-freeze up to -25 degree Celsius tolerance up to -30 degree C
- ⚡ Windshield wiper intermittent control
- ⚡ Instrument insert (km/h); indication of speed, total/trip mileage, engine speed, fuel level and time
- ⚡ Disk brake, front ( outer brake disk diameter : 288mm)
- ⚡ Standard suspension. /shock absorption
- ⚡ Suspension range 40 installation control only, no requirement forecast
- ⚡ Central locking system with deadlock with radio remote control, interior release mechanism and deadlock

- ✚ Key for locking system with remote control
- ✚ Rear wing doors with window aperture ( asymmetrically)
- ✚ Heater rear window and rear window wiper and washer system with intermittent control
- ✚ Exterior mirror adjustable from outside
- ✚ Battery 2800 A (60 Ah)
- ✚ 4 steel wheels 6J x 15 inch
- ✚ Steel spare wheel with original equipment tires
- ✚ Tires 195/65 R15 91T
- ✚ Airbag for driver
- ✚ Air conditioning climatic
- ✚ Carrier frequency 433.92 Mhz- 434.42 Mhz
- ✚ CD Player with MP3 and USB
- ✚ Smoking package (12-V socket with cigarette lighter, ashtray and 2 cup holders in dashboard)
- ✚ Fabric Seat Covering
- ✚ Partition high (without window)
- ✚ Center console with 4 cup holders
- ✚ Sunvisor without vanity mirror in cab
- ✚ Rubber floor covering in cab
- ✚ Rubber floor covering in passenger and load compartment
- ✚ Long Plate

**US\$ 19.500,- // Euro 13.930,- // Bruttoendpreis: 20.320,- Euro**

#### Caddy Kombi 5-seater



#### Weight & Dimension (mm):

Length	: 4406	Internal Length	: 1354
Width	: 1794	Internal Width	: 1250
Height	: 1822	Internal Height	: 1134

Side sliding door (width/height)	: 701/1086 mm
Tail gate doors (width/height)	: 1185 /1134 mm
Wheel base	: 2681 mm
Gross Vehicle Weight	: 2180 kg
Payload	: 727-572 kg

\* Weight range 1 installation control only, no requirement indicator

\* Emission standard EURO2

#### VEHICLE SPECIFICATION

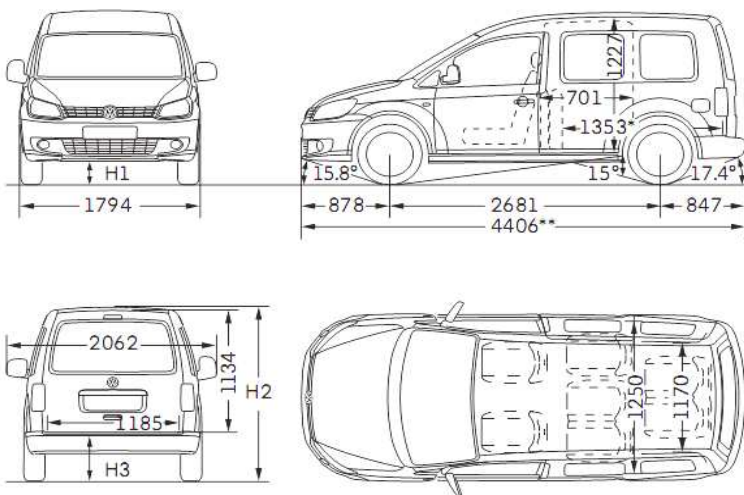
Model Year : 2014  
 Seats : 5 seats  
 Engine : 1.6L TFSI 75kw (102HP)  
 Trans. : 5 speed manual gearbox (4 cylinders)

- ✚ Information in Arabic and English
- ✚ Weight range 1 installation control only, no requirement forecast
- ✚ Anti-freeze up to -25 degree Celsius tolerance up to -30 degree C
- ✚ Wheel center cover
- ✚ **60 L** fuel tank content

- ✚ Disk brake, front
- ✚ Center console with 4 cup holders
- ✚ **Rear wing double door with window aperture – with bigger Left door (60/40).**
- ✚ Alternator 140 A
- ✚ Carpet floor covering in cab / passenger compartment
- ✚ Climatic air-conditioning system (semi-automatic)
- ✚ Comfort seat in cab, right and left
- ✚ Driver's and front passenger air bag with front passenger air bag deactivation
- ✚ Halogen headlights
- ✚ Warning buzzer and light for driver seat belt not fastened
- ✚ Seating capacity 5 seaters
- ✚ Sliding door right in load/passenger compartment
- ✚ Standard suspension / shock absorption
- ✚ Steel spare wheel with original equipment tire
- ✚ Steel wheels 6J x 15
- ✚ **2<sup>nd</sup> Rear Row of (Middle) seats are Removable with Volkswagen high German Engineering Technology for this features – unique in its class. , that to ease using your van as Cargo van (same size in Delivery van), plus seats replacement within 3 minutes only.**
- ✚ Central locking system with radio remote control, interior release mechanism and deadlock
- ✚ Exterior mirrors: adjustable from outside
- ✚ Heat insulating compound glass windshield
- ✚ Super hot country
- ✚ Suspension range 40, installation control only, no requirement forecast
- ✚ Heated rear window
- ✚ Left exterior mirror : flat
- ✚ Mechanical locking system
- ✚ Rear window wiper and washer system with intermittent control
- ✚ Right exterior mirror "convex"(AGCC)
- ✚ Roof interior trim in cab as comfort molded headlining, in load/passenger compartment with hardboard
- ✚ Long Plate

**US\$ 20.320,- // Euro 14.510,- // Bruttoendpreis: 21.070,- Euro**

Caddy Startline 7-seater



**Weight & Dimension (mm):**

Length	: 4406	Internal Length	: 1353
Width	: 1794	Internal Width	: 1250
Height	: 1134	Internal Height	: 1227

Side sliding door (width/height)	:	
Tail gate doors (width/height)	:	
Wheel base	:	2681 mm
Gross Vehicle Weight	:	2180 kg
Payload	:	791 kg
Volume	:	

\* Weight range 1 installation control only, no requirement indicator

\* Emission standard EURO2

## VEHICLE SPECIFICATION

Model Year: 2015

Seats : 7 seater

Engine : 1.6L TFSI 75kw (102HP) (Front wheel drive)

Trans. : 5 speed manual gearbox (4 cylinder)

- + Tropical zone
- + Standard suspension / shock absorption
- + Antifreeze up to -25 degree Celsius tolerance up to -30 degree C
- + Spare wheel ( steel) with original equipment tire including jack
- + Center console with 4 cup holders ( 2 front and 2 rear)
- + Backrest release for left and front seat
- + Door and side trim panel
- + Rear wing doors with window aperture
- + Side windows (fixed) in load/passenger compartment
- + Central locking system with radio remote control, interior release mechanism and SAFELOCK
- + Mechanical window regulator
- + Sun visor without vanity in cab , left
- + Driver's and front passenger airbag with front passenger air bag deactivation
- + Carpet floor covering in cab and passenger compartment
- + Sliding door right in load/passenger compartment
- + Right exterior mirror : convex
- + Left exterior mirror : flat
- + Air vents (plastic, front in matt black)
- + Black exterior mirror housings, door handles, and tailgate handle
- + Radiator grille
- + Exterior mirror : adjustable and heated
- + Alternator 140 A
- + Halogen headlight
- + Rear window wiper and washer system with intermittent
- + Windshield wiper intermittent control
- + Key for locking system with remote control
- + Radio preparation 2 speakers ( passive)
- + Smoking package
- + Steel wheels 6J x 15
- + Battery 280 A (60 Ah)
- + Air-conditioning system
- + Suspension range 41 installation control only, no requirement forecast
- + Seat trim covers in fabric " Takato"
- + Heat-insulating glass ( green)
- + Long Plate

**US\$ 21.410,- // Euro 15.290,- // Bruttoendpreis: 22.070,- Euro**

**Nettopreise inkl. Verschiffung und Transportversicherung frei CIF Hamburg  
(Kurs: 1Euro=1,40US\$)**

**Der oben genannte Bruttoendpreis beinhaltet alle in Deutschland anfallenden  
Nebenkosten (10% Zoll, 19% MwSt., Harbourhandling, inländischer Transport,  
Umbauten, Homologation & deutsche Fahrzeugpapiere).**