



سوق السيارات العربي

International Car Bridge FZE

Danat Al Ain Resort, Nyadat Street, P.O. Box: 16031, Al Ain, UAE

Tel: 00971/50/7 13 13 07, Fax: 00971/3/76 86 766

Contact in Germany: Volker Risse, Alfred-Ott-Str. 7, 53489 Sinzig bei Bonn

Tel:+49/2642/994999, Fax:994997, Mobil:(0)172/6539555, Email: info@icbdubai.com

Webpages: www.icbdubai.com, www.cartrader24.com, www.auctionagents.ae

Volkswagen T5 Model 2013

Volkswagen, Transporter (T5), MRLWB, (4x2) :

Model Year : 2013 Color : candy white

Weight & Dimension (mm):

Length	: 5292	Internal Length	: 2970
Width	: 1904	Internal Width	: 1692
Height	: 2176	Internal Height	: 1626

Lateral sliding door (width/height) : 1020/1284 mm

Tailgate (width/height) : 1486 / 1305mm

Wheel base : 3400 mm

Body weight:

GVW : 2850 kg

GCW

:

Payload : 1070 - 634 kg

area / Volume :

5.0m² / 7.8 m³

Weight category front axle weight range 3

Engine :

Volkswagen Gasoline (Petrol), 4 cylinders

Displacement : 2.0 L. (2000 cc)

Power Out put: 115 BHP (85 kw) / 3500 rpm

Max. Torque :

Equipped with:

Gearbox & Drive line: 5 speed manual gearbox, front wheel drive.

- Fuel tank (volume 75 L.), plastic. With under guard.
- Exhaust emission standard Euro 2

Electronics :

- Alternator 140 A
- Halogen headlight (H4) for driving on the right.
- **Park distance control, rear**
- Warning buzzer and light for driver seat belt not fastened
- Windshield wiper intermittent control

Safety & Brake systems:

- **Electronic Stabilisation Program (ESP) a. brake assistance, Anti-lock brake sys./ Anti-Spin Regulator (ABS/ASR), EDL and Hill hold control.**

Suspension:

- **Heavy-duty shock absorbers / stabilizers, front and rear; vehicle height for Multi Van /Caravelle (SWB) approx. +20mm**
- Amazing stability thanks for Extra Heavy Duty Shock absorber (standard)
- Standard suspension.

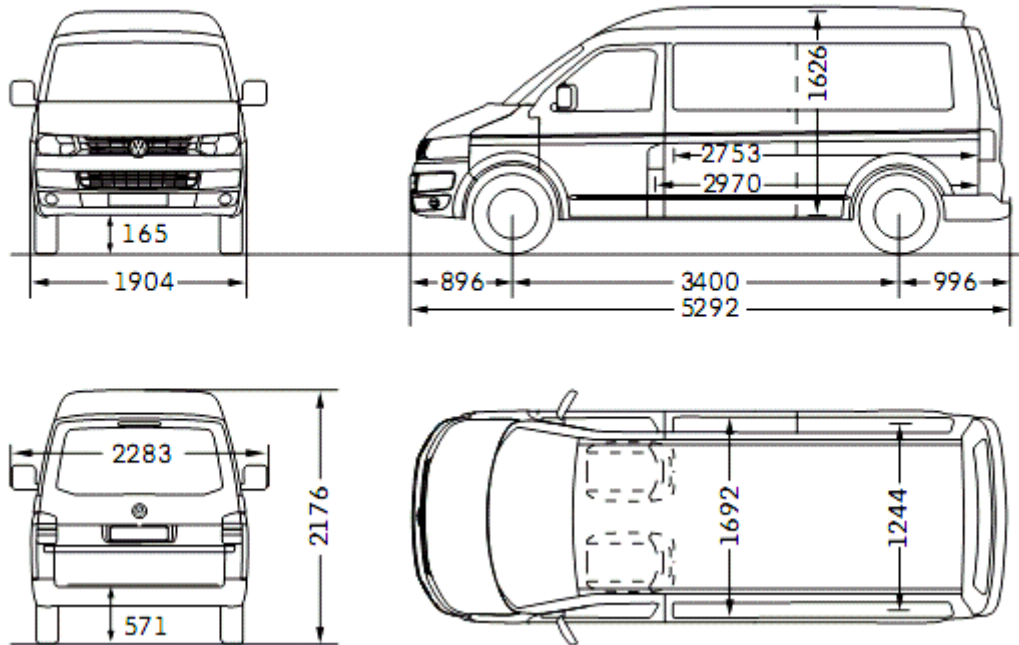
Tires :

- **Wheels size: 4 steel wheels 7J x 17 (wheel adjustable in height and length) for Tropical zones**
- Tool kit and jack
- Steel spare wheel with original equipment tires - Standard spare wheel bracket

Cabin :

- **Medium Highroof plastic, standard in candy white**
- **High partition with fixed window and 8 lashing rings for load restraint**
- Rubber floor covering in passenger and load compartment
- Heat-insulating glass (green) in cab and load/passenger compartment
- **Radio system "RCD 310" with 4 speakers**
- Mobile device interface (AUX-IN) to connect external audio sources
- Electric interface for external use
- Instrument insert (km/h); indication of speed, total/trip mileage, engine speed, fuel level and time
- **Front passenger double bench seat in cab, right**
- Fresh air intake system with activated charcoal canister
- Weight range 2 installation control only, no requirement forecast
- Transmission ratio, high geared
- Air cleaner for dusty regions with saturation indicator
- **Power steering with safety steering column (steering wheel adjustable in height and length)**
- Plastic Chrome trunk sill protection
- Leatherette head restraints (height-adjustable)
- Rear door tailgate / release lever inside
- Door stowage boxes with 2 trays each and integrated bottle holders in cab doors
- Heat-insulating compound glass windshield
- Dipping breakaway interior rear view mirror
- Standard dashboard
- Mechanical window regulator
- One Air bag for driver and belt tensioner
- Rubber floor covering in cab
- Roof interior trim in cab as comfort molded headlining, in load/passenger compartment with hardboard
- Hardboard side panel trim (medium height) in load compartment
- Right exterior mirror: convex (AGCC) , Left exterior mirror: flat
- Exterior mirrors: adjustable from outside
- Sliding door, right side , in load/passenger compartment
- 2 keys set .

- Standard tail lights
- Air-conditioning system Climatic (semi-automatic) in cab
- Standard interior light concept in passenger/load compartment
- Smoking package



US\$ 29.850,- // Euro 21.320,- // Bruttoendpreis: 29.170,- Euro

Volkswagen, Transporter (T5), HRLWB, (4x2) :

Model Year : 2013 Color : candy white

Weight & Dimension (mm):

Length	: 5292	Internal Length	: 2970
Width	: 1904	Internal Width	: 1692
Height	: 2476	Internal Height	: 1694

Lateral sliding door (width/height) : 1020/1284 mm
 High lateral sliding door (width/height) : 1020/1724 mm
 Rear wing doors (width/height) : 1486 / 1694mm

Wheel base	: 3400 mm	Body weight:
GVW	: 2850 kg	GCW

Payload	: 1070 - 634 kg	area / Volume	:
5.0m ² / 9.3 m ³			

Weight category front axle weight range 3

Engine :

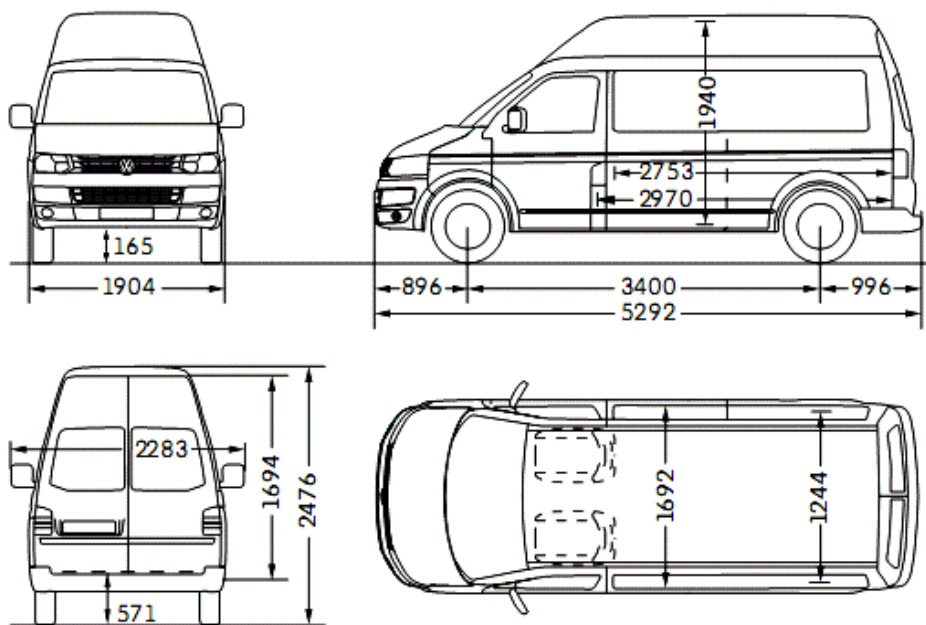
Volkswagen Gasoline (Petrol), 4 cylinders

Displacement : 2.0 L. (2000 cc)

Power Out put: 115 BHP (85 kw) / 3500 rpm

Ausstattung wie oben plus:

Highroof, high rear wing doors with heated window aperture



US\$ 30.360,- // Euro 21.690,- // Bruttoendpreis: 29.630,- Euro

**Nettopreise inkl. Verschiffung und Transportversicherung frei CIF Hamburg
(Kurs: 1Euro=1,40US\$)**

In Deutschland fallen folgende weitere Kosten an, die im oben genannten Bruttoendpreis aber schon enthalten sind (!!!): 10% Zoll, MwSt., Harbourhandling, Umbau der Beleuchtungsanlage, Fahrzeugbrieferstellung