



International Car Bridge FZE

RAK Free Trade Zone, Island Street, P.O. Box 40503, Ras Al Khaimah RAK,
United Arab Emirates (UAE), Tel: +971/50/7 13 13 07, Fax: (0)7/204 10 10
Contact in Germany: Volker Risse, Hofstr. 5, 53557 Bad Hönningen, Germany
Tel: +49/(0)2635/30 689 30, Fax: 92 540 65, Mobil: (0)172/65 39 555
email: info@icbdubai.com, Webpage: www.icbdubai.com

Renault Dacia Duster Model 2026



Airbags

- 4 Airbags

Head Lighting

- Front Fog Lamps
- Daylight Running Lamps (LED)
- Bulb Headlights
- Lights on Automatically when Dark
- Manual Adjustment of the Height of The Headlights

Tail Lighting

- Bulb Rear Lights

Wheel Size

- 17 Inch Alloy Wheels, 2 Tone

Passengers

- 5

Cameras

- 4 Cameras

Sensors

- Tires Pressure Detection
- Parking Sensors (4 Radars)
- Passenger Seat Sensor
- Blind Spot Warning
- Remote Start Engine

Screen

- 7 Inch Multi-Entertainment Touchscreen

Sound System

- 4 High Quality Speakers

Front Grille

- Chrome Grille

Safety

- (ABS) Anti-Lock Braking System
- (EBD) Electronic Brakeforce Distribution
- (ESP) Electronic Stability Program
- ISOFIX Child Seat Anchor
- Front Seat Belts with a Pretensioner System
Enhance Safety in the Event of an Accident

Driver Assistance Systems

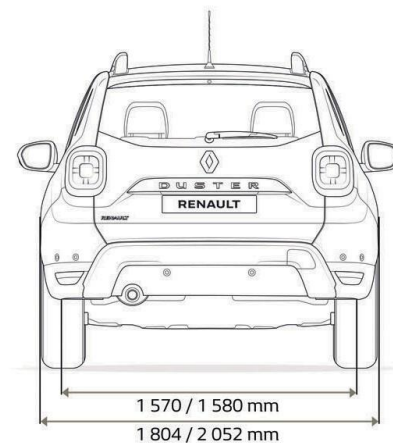
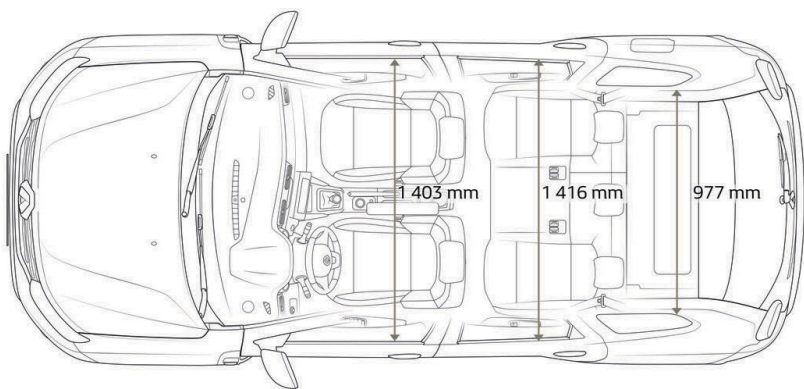
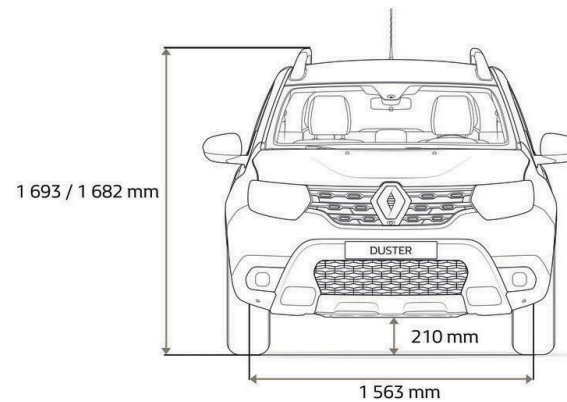
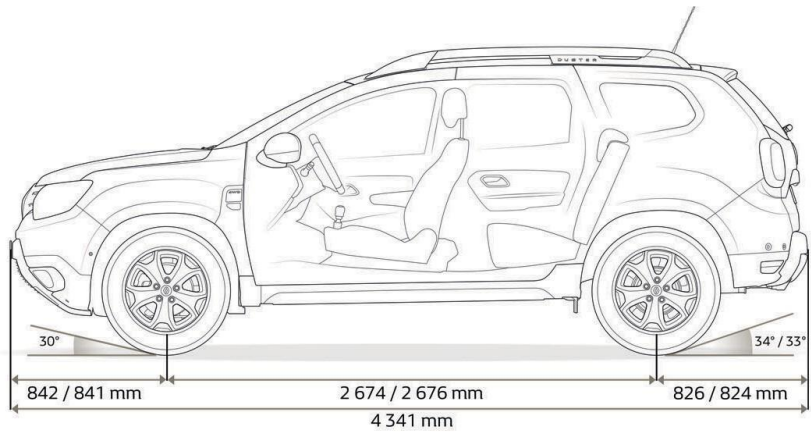
- Cruise Control & Speed Limiter

Seats

- 1:3 Rear Seats Folding
- Driver Seat 6-Way Manual Adjust

Other Features

- Multifuntion Steering Wheel
- Power Adjustable Mirrors
- Rear AC Vent
- Multi-Functional Steering Wheel
- Electric Motor Power Steering
- Smart Key
- Wireless apple Carplay and Android Auto
- Passive Start/One Button Start



Dimensions (mm)

ScE 115**ENGINES**

Fuel	Petrol
Max power kW EEC (hp) at engine speed of (rpm)	84 (115) at 5,500
Max torque Nm EEC (m.kg) at engine speed of (rpm)	156 at 4,000
Type of injection	Sequential multipoint
Capacity (cc)	1,598
No. of cylinders/valves	4/16

PERFORMANCE

Top speed (km/h)/0-100 km/h (s)	161/13.2
400m / 1,000m stopping distance (s)	19.2/35.1

GEARBOX AND TRANSMISSION

Transmission	4x2
Gearbox type / Number of gears	CVT/6

STEERING

Steering	Electric power steering
Turning circle, kerb to kerb (m)	10,14

BRAKING

Front: ventilated disc (VD) diameter (mm)	(VD) 269
Rear: drum (D) / diameter (inches)	(D)/9

FUEL CONSUMPTION AND EMISSIONS⁽²⁾

Eco mode	Yes
Fuel tank capacity (l)	50
CO ₂ emissions (g/km)	160
Consumption over a combined cycle (l/100km)	6.9
Consumption over an urban cycle (l/100km)	8.8
Consumption over an extra-urban cycle (l/100km)	5.8

WEIGHT (KG)

Kerb weight min /max	1,235/1,294
Gross vehicle weight (GVW)	1,785
Payload min /max ⁽³⁾	491/550
Max braked towing weight	1,200
Max unbraked towing weight	655
Min boot capacity under luggage shelf with repair kit/ with spare wheel - in litres	478
Max boot capacity, rear bench seat folded with repair kit/ with spare wheel - in litres	1

US\$ 21.600,-//Euro18.000,-//Bruttoendpreis: 25.950,-

**Nettopreise inkl. Verschiffung und Transportversicherung frei CIF Bremerhaven
(Kurs: 1Euro=1,20US\$).**

**Der oben genannte Bruttoendpreis beinhaltet alle in Deutschland anfallenden
Nebenkosten (10% Zoll, 19% MwSt., Harbourhandling, inländischer Transport,
Umbauten, Homologation & deutsche Fahrzeugpapiere) und gilt frei Hagen bei
Dortmund.**